

ECELLAR.BI150



Ageing Wine Cellar
Prestige
Built-in

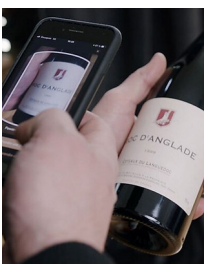
GENERAL INFORMATION

Number of bottles : 149
Number of zones : 1
Adjustable temperature range : 5-20°C
Noise level : 37dB
Energy class : G
Climate class : SN/T (10-43)
Vinotag compatible : Yes
Wifi connection : yes
Made in : France



Product description

AWARDED "GRAND PRIX DE L'INNOVATION 2022": Unique on the wine cellar market, the ECELLAR is equipped with smart shelves capable of autonomously detecting bottles added to and removed from the cellar. Connected to the VINOTAG application, they communicate in real time to maintain an exact record of your wines, which can be viewed and personalized on your smartphone or tablet. The bottles are recognized and recorded; their exact locations are indicated; their peak dates and stock levels are monitored. **COMMITMENTS AGEING CELLAR**: A true aging cellar, the ECELLAR reproduces the storage conditions of a natural cellar to accompany your wines until their peak: temperature to the nearest degree; controlled humidity; protection against light; filtration and aeration system; anti-vibration system. **MADE IN FRANCE**: Made by the wine experts La Sommelière in Sarthe, the ECELLAR is born from French know-how. From design to production, it favors an eco-responsible approach by opting for Made in France and short cycles. **INSTALLATION**: FREE-STANDING & BUILT-IN: built-in type and allows for installation in free-standing or built-in. Its ventilation grille allows good air circulation for installation directly in the kitchen.



CONNECTED CELLAR

Thanks to a wifi connection access to real time wine inventory



MADE IN France

Combine cutting-edge technology and meet the highest quality standards.



INSTALLATION

Both free standing and built-in you can install your cellar at the location of your choice



SIDE LED LIGHT

Improves visibility of your wine selection with interior side LED lighting (top to bottom of the cellar)

ECELLAR.BI150

EAN-13 - 3541362304445

Capacity and Temperature

- **Number of bottles: 149**

- **Adjustable temperature: 5-20°C**
 - Upper zone : 14-18°C
 - Middle zone : 10-14°C
 - Lower zone : 5-10°C

Door

Door color : Black
Door glass color : Grey
Number of glass layers : 3
Anti-UV : Yes
Tempered glass : Yes
Lock : Yes
Reversible door : No
Handle type : Pulling bar
Pentograph hinge : No
Self-closing door : No

Security

Alarm : Temperature, Door
Winter system : Yes
Child lock : Yes

Logistic

Net dimensions (WxDxH): 72.0 x 68.5 x 182.0
Gross dimensions (WxDxH): 76.5 x 74.0 x 198.0

Technical Data

Energy class : G
Annual energy (KWh/a) : 189
Climate class : SN/T (10-43)
Noise level : 37dB / C
Energy Efficiency Index : 170 %
Power input : 80.00 W
Voltage : 220-240 V
Length of power cable : 180 cm
Plug Type : E type
Type of gas : R600a
Gas charge : 48 g
Type of compressor : standard
Main cooling system : Air moving system
Charcoal filter : 1
Anti-vibration system : Yes
Adjustable feet : 4 / 0.8 cm

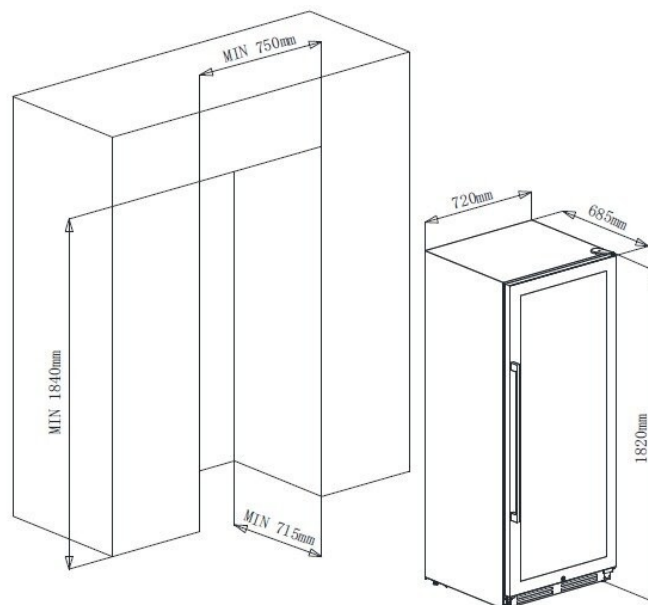
Light

Light source : LED
Light color(s) : White
Dimmable light : no
Light switch : yes
Permanent light option : Yes

Qty per 20' : 0
Qty per 40' : 0
Qty per 40 HC: 45
Customs code: 8418501990

ECELLAR.BI150

EAN-13 - 3541362304445



Accessories

- 11 shelves, wooden with black front, sliding, rails
- 1 charcoal filter, (FCA08)

Compatible accessories references : PIERREDELAVE, BOITEPOURPIERRES, FCA08

Built-in information

Built-in dimensions (WxDxH) : 75.00 x 71.50 x 184.00

Warning installation : This product is equipped with a front ventilation system. Follow the installation instructions to ensure proper operation of the unit.

